

PB12 Series 2.54mm(.100") Wire to Board Connector

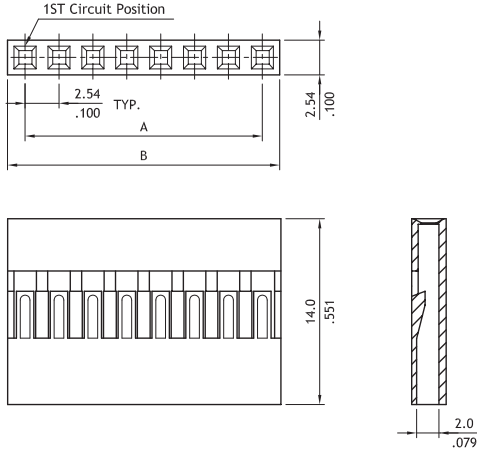
- ⊙ Latch housing
- ⊙ Mates with PG17, PG18 header
- ⊙ Compatible with PB12 crimp clip terminal
- ⊙ Terminal accommodates AWG #22 ~ #28



Construction

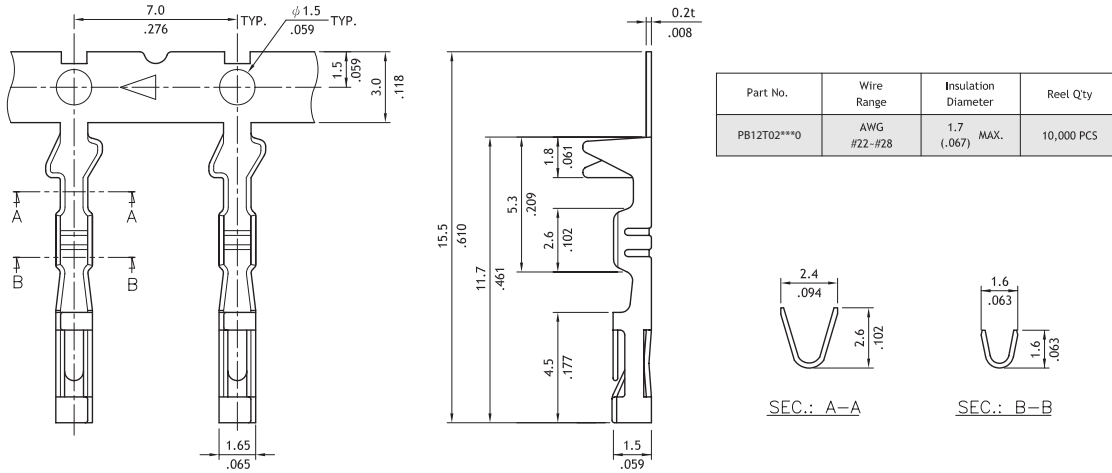
- ⊙ Insulator: Nylon 66 UL 94V-1, Color Black
- ⊙ Terminal: Tin or Gold flash plated Brass or Phosphor Bronze
- ⊙ Engineering No's: CI32/2665 Series

E159616



Circuits	Dimension		Circuits	Dimension	
	A	B		A	B
2	2.54(.100)	5.3(.209)	22	53.34(2.100)	56.2(2.213)
3	5.08(.200)	7.8(.307)	23	55.88(2.200)	58.7(2.311)
4	7.62(.300)	10.4(.410)	24	58.42(2.300)	61.3(2.413)
5	10.16(.400)	12.9(.508)	25	60.96(2.400)	63.8(2.512)
6	12.70(.500)	15.4(.606)	26	63.50(2.500)	66.3(2.610)
7	15.24(.600)	18.0(.709)	27	66.04(2.600)	68.9(2.713)
8	17.78(.700)	20.5(.807)	28	68.58(2.700)	71.4(2.811)
9	20.32(.800)	23.1(.909)	29	71.12(2.800)	74.0(2.913)
10	22.86(.900)	25.6(1.008)	30	73.66(2.900)	76.5(3.012)
11	25.40(1.000)	28.1(1.106)	31	76.20(3.000)	79.0(3.110)
12	27.94(1.100)	30.7(1.209)	32	78.74(3.100)	81.6(3.213)
13	30.48(1.200)	33.2(1.307)	33	81.28(3.200)	84.1(3.311)
14	33.02(1.300)	35.8(1.409)	34	83.82(3.300)	86.7(3.413)
15	35.56(1.400)	38.3(1.508)	35	86.36(3.400)	89.2(3.512)
16	38.10(1.500)	40.8(1.606)	36	88.90(3.500)	91.7(3.610)
17	40.64(1.600)	43.4(1.709)	37	91.44(3.600)	94.3(3.713)
18	43.18(1.700)	45.9(1.807)	38	93.98(3.700)	96.8(3.811)
19	45.72(1.800)	48.5(1.909)	39	96.52(3.800)	99.4(3.913)
20	48.26(1.900)	51.1(2.012)	40	99.06(3.900)	101.9(4.012)
21	50.80(2.000)	53.6(2.110)			

⊙ Engineering No's: CI32/2653 Series



Part No.	Wire Range	Insulation Diameter	Reel Qty
PB12T02***0	AWG #22-#28	1.7 (.067) MAX.	10,000 PCS

Ordering Code

1 **PB12** **2** **40** **3** **S** **4** **0010**

- 1 Series No.
- 2 No. of Circuits: 02 to 40
- 3 S= Connector housing
- 4 Other options:
0010= Color Black
* Special options Consult factory

1 **PB12** **2** **T02** **3** **A** **4** **B** **5** **E** **6** **0**

- 1 Series No.
- 2 Type: T02= AWG #22 ~ #28
- 3 Plating : 1= Tin over Nickel plated
A= Selective Gold flash over Nickel plated
- 4 Material: B= Brass
P= Phosphor Bronze
- 5 Plating method : E= Pre-tinned
P= Post Plating
- 6 Other options: 0= Standard