

PB07 Series 2.50mm(.098") Wire to Board Connector

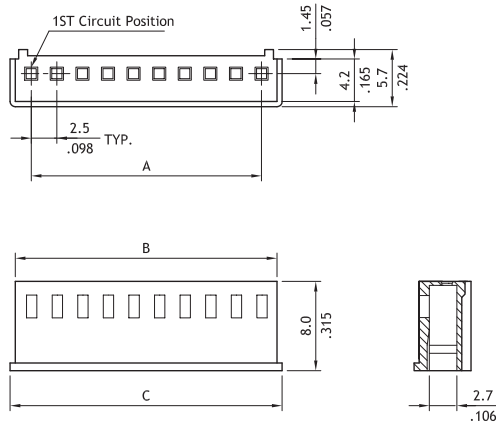
- ⊙ Low profile with locking tab
- ⊙ Mates with PB07 header
- ⊙ Compatible with PB07 crimp clip terminal
- ⊙ Terminal accommodates AWG #22 ~ #28

Construction

- ⊙ Insulator: Nylon 66 UL 94V-2, Color Ivory
- ⊙ Terminal: Tin plated Brass or Phosphor Bronze
- ⊙ Engineering No's: CI23/2500 Series

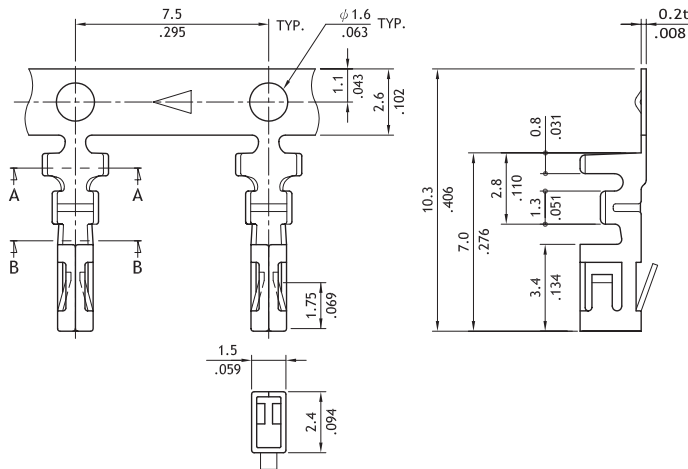


E159616

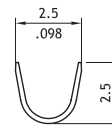


Circuits	Dimension		
	A	B	C
2	2.5(.098)	6.0(.236)	7.2(.283)
3	5.0(.197)	8.5(.335)	9.7(.382)
4	7.5(.295)	11.0(.433)	12.2(.480)
5	10.0(.394)	13.5(.531)	14.7(.579)
6	12.5(.492)	16.0(.630)	17.2(.677)
7	15.0(.591)	18.5(.728)	19.7(.776)
8	17.5(.689)	21.0(.827)	22.2(.874)
9	20.0(.787)	23.5(.925)	24.7(.972)
10	22.5(.886)	26.0(1.024)	27.2(1.071)
11	25.0(.984)	28.5(1.122)	29.7(1.169)
12	27.5(1.083)	31.0(1.220)	32.2(1.268)
13	30.0(1.181)	33.5(1.319)	34.7(1.366)
14	32.5(1.280)	36.0(1.417)	37.2(1.465)
15	35.0(1.378)	38.5(1.516)	39.7(1.563)
16	37.5(1.476)	41.0(1.614)	42.2(1.661)
17	40.0(1.575)	43.5(1.713)	44.7(1.760)
18	42.5(1.673)	46.0(1.811)	47.2(1.858)
19	45.0(1.772)	48.5(1.909)	49.7(1.957)
20	47.5(1.870)	51.0(2.008)	52.2(2.055)

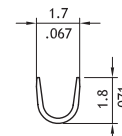
⊙ Engineering No's: CI23/2403 Series



Part No.	Wire Range	Insulation Diameter	Reel Q'ty
PB07T021*E0	AWG #22-#28	1.9 (.075) MAX.	8,000 PCS



SEC.: A-A



SEC.: B-B

Ordering Code

1 **2** **3** **4**
PB07 20 S 0000

- 1 Series No.
- 2 No. of Circuits: 02 to 20
- 3 S= Connector housing
- 4 Other options:
 0000= Standard
 * Special options Consult factory

1 **2** **3** **4** **5** **6**
PB07 T02 1 P E 0

- 1 Series No.
- 2 Type: T02= AWG #22 ~ #28
- 3 Plating : 1= Tin over Nickel plated
- 4 Material: P= Phosphor Bronze
 B= Brass
- 5 Plating method : E= Pre-tinned
- 6 Other options: 0= Standard