

PB06 Series 2.50mm(.098") Wire to Board Connector

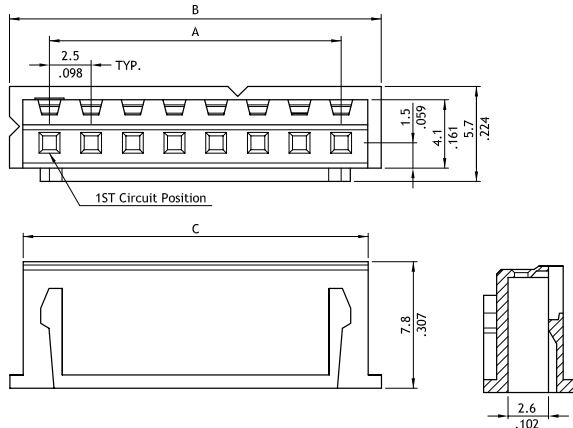
- ⊙ Low profile with locking ribs
- ⊙ Mates with PB06 header
- ⊙ Compatible with PB06 crimp clip terminal
- ⊙ Terminal accommodates AWG #22 ~ #28



Construction

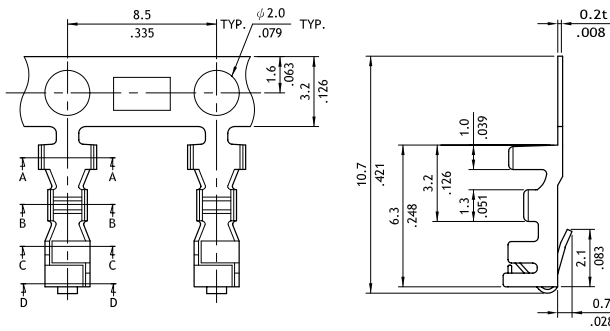
- ⊙ Insulator: Nylon 66 UL 94V-0, Color Natural
- ⊙ Terminal: Tin plated Brass or Phosphor Bronze
- ⊙ Engineering No's: CI22/2520 Series

E159616

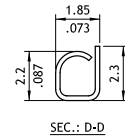
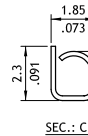
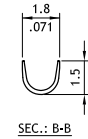
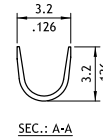


Circuits	Dimension		
	A	B	C
2	2.5(.098)	7.4(.291)	5.8(.228)
3	5.0(.197)	9.9(.390)	8.3(.327)
4	7.5(.295)	12.4(.488)	10.8(.425)
5	10.0(.394)	14.9(.587)	13.3(.524)
6	12.5(.492)	17.4(.685)	15.8(.622)
7	15.0(.591)	19.9(.783)	18.3(.720)
8	17.5(.689)	22.4(.882)	20.9(.823)
9	20.0(.787)	24.8(.976)	23.3(.917)
10	22.5(.886)	27.4(1.079)	25.8(1.016)
11	25.0(.984)	29.9(1.177)	28.3(1.114)
12	27.5(1.083)	32.4(1.276)	30.8(1.213)
13	30.0(1.181)	34.9(1.374)	33.3(1.311)
14	32.5(1.280)	37.4(1.472)	35.8(1.409)
15	35.0(1.378)	39.9(1.571)	38.3(1.508)
16	37.5(1.476)	42.4(1.669)	40.8(1.606)
17	40.0(1.575)	44.9(1.768)	43.3(1.705)
18	42.5(1.673)	47.4(1.866)	45.8(1.803)
19	45.0(1.772)	49.9(1.965)	48.3(1.902)
20	47.5(1.870)	52.4(2.063)	50.8(2.000)

⊙ Engineering No's: CI22/2593 Series



Part No.	Wire Range	Insulation Diameter	Reel Qty
PB06T021*E0	AWG #22-#28	1.9 MAX. (.075)	7,000 PCS.



Ordering Code

1 **2** **3** **4**
PB06 20 S 0000

- 1 Series No.
- 2 No. of Circuits: 02 to 20
- 3 S= Connector housing
- 4 Other options:
 0000= Standard
 * Special options Consult factory

1 **2** **3** **4** **5** **6**
PB06 T02 1 P E 0

- 1 Series No.
- 2 Type: T02= AWG #22 ~ #28
- 3 Plating : 1= Tin over Nickel plated
- 4 Material: P= Phosphor Bronze
 B= Brass
- 5 Plating method : E= Pre-tinned
- 6 Other options: 0= Standard