

"Your Connection"

C

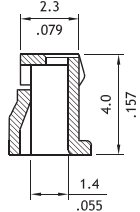
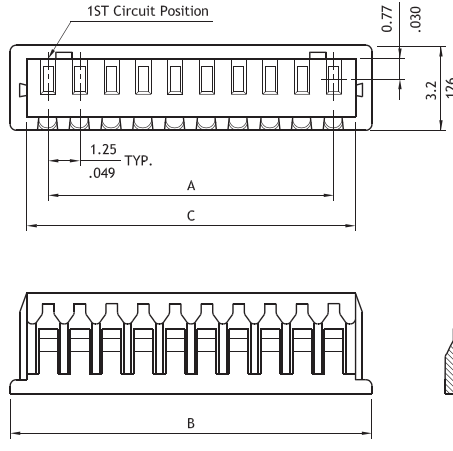
PB16 Series 1.25mm(.049") Wire to Board Connector

- ⊙ Latch housing secures terminal in housing and provides extra terminal retention
- ⊙ Terminal accommodates AWG #28 ~ #32

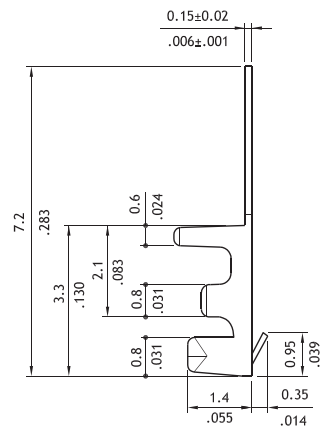
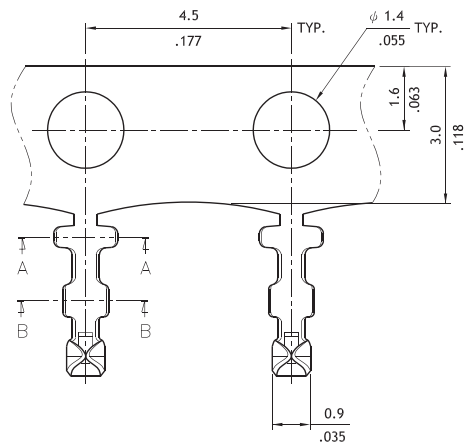


Construction

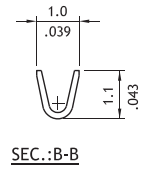
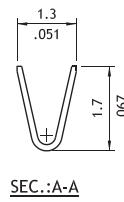
- ⊙ Insulator: PBT UL 94V-0, Color Natural
- ⊙ Terminal: Tin plated Phosphor Bronze
- ⊙ Engineering No's: CI44/1254 Series



Circuits	Dimension		
	A	B	C
2	1.25(.049)	4.3(.169)	2.95(.116)
3	2.50(.098)	5.5(.217)	4.20(.165)
4	3.75(.148)	6.8(.268)	5.45(.215)
5	5.00(.197)	8.0(.315)	6.70(.264)
6	6.25(.246)	9.3(.366)	7.95(.313)
7	7.50(.295)	10.5(.413)	9.20(.362)
8	8.75(.344)	11.8(.465)	10.45(.411)
9	10.00(.394)	13.0(.512)	11.70(.461)
10	11.25(.443)	14.3(.563)	12.95(.510)
11	12.50(.492)	15.5(.610)	14.20(.559)
12	13.75(.541)	16.8(.661)	15.45(.608)
13	15.00(.591)	18.0(.709)	16.70(.657)
14	16.25(.640)	19.3(.760)	17.95(.707)
15	17.50(.689)	20.5(.807)	19.20(.756)



Part No.	Wire Range	Insulation Diameter	Reel Qty
PB16T011PE0	AWG #28-#32	0.8 (.031) MAX.	15,000 PCS.



Ordering Code

1 **2** **3** **4**
PB16 15 S 0000

- 1 Series No.
- 2 No. of Circuits: 02 to 15
- 3 S= Connector housing
- 4 Other options:
0000= Standard
* Special options Consult factory

1 **2** **3** **4** **5** **6**
PB16 T01 1 P E 0

- 1 Series No.
- 2 Type: T01= AWG #28 ~ #32
- 3 Plating : 1= Tin over Nickel plated
* Optional plating available but MOQ requested
- 4 Material: P= Phosphor Bronze
- 5 Plating method : E= Pre-tinned
- 6 Other options:
0= Standard