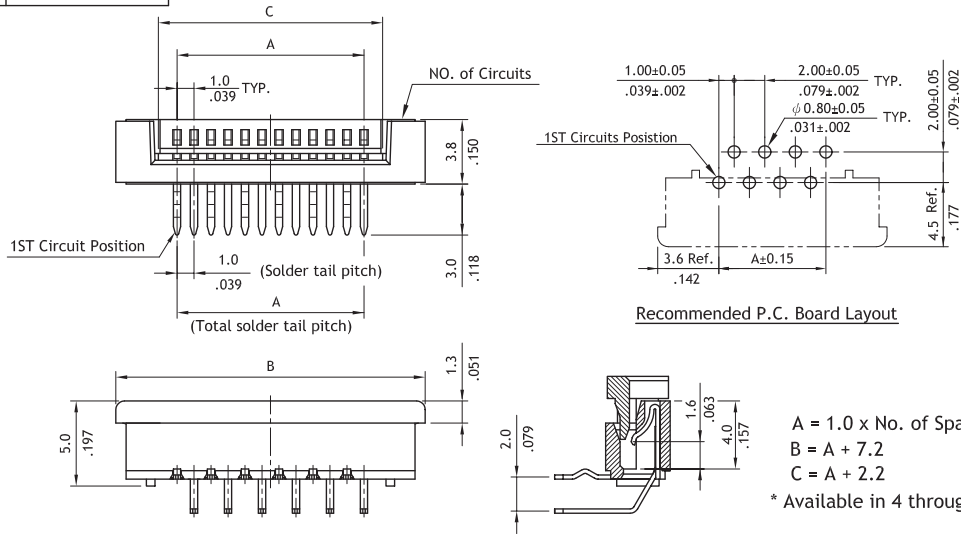


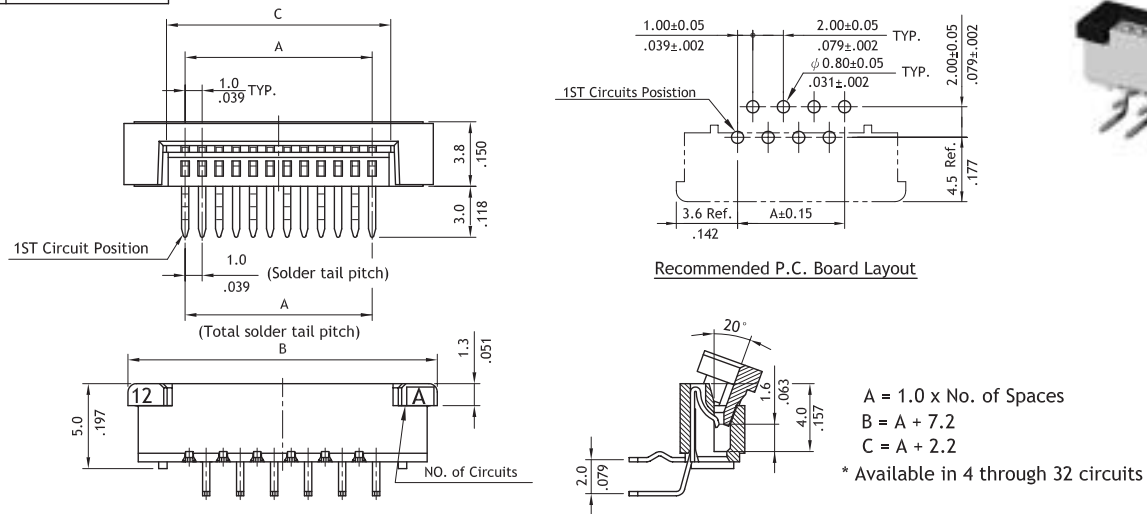
PA05 Series 1.00mm(.039") DIP ZIF FFC/FPC Connectors

- ⊙ Standard with Tube packing
- ⊙ Tin plated contact with kinked tail
- ⊙ Insulation: Glass filled Nylon 6T UL 94V-0, Color Natural
- ⊙ Slider: Glass filled Nylon 6T UL 94V-0, Color Brown
- ⊙ Options: Upside contact or downside contact for right angle version; Straight DIP or SMT type
- ⊙ Engineering No's: CF10 Series

P/N PA05**1U0T0



P/N PA05**1D0T0



P/N PA05**1V0T0

