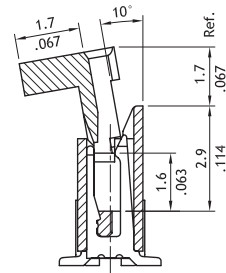
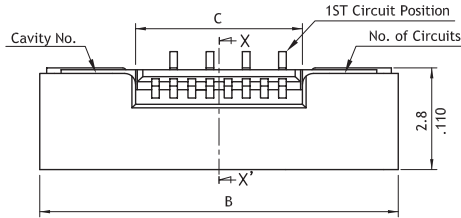
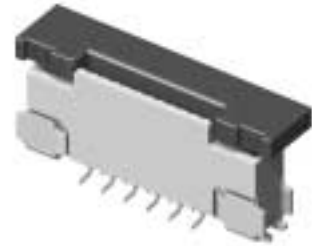
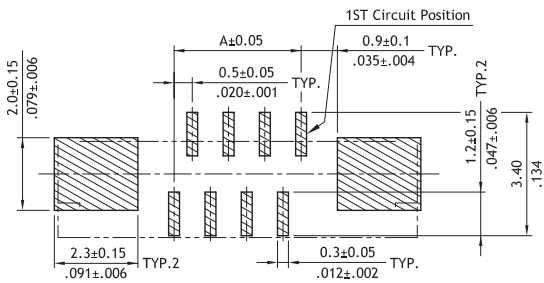
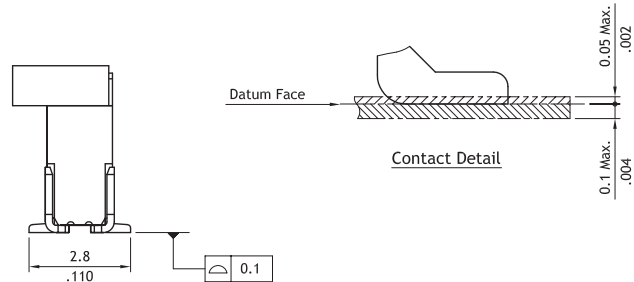
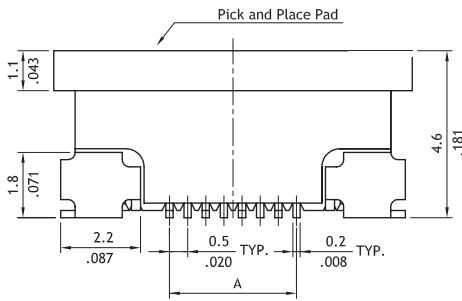


PA01 Series 0.50mm(.020") SMT ZIF FFC/FPC Vertical Type Connectors

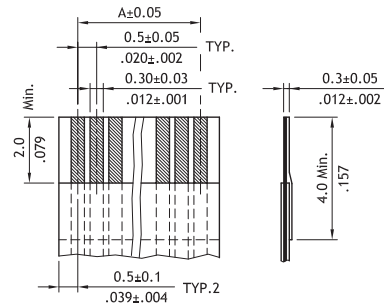
- ⊙ Tin plated Phosphor Bronze Vertical Type
- ⊙ Insulation: High temperature plastic UL 94V-0, Color Natural
- ⊙ Slider: High temperature plastic UL 94V-0, Color Brown
- ⊙ Actuator designed for easy FFC/FPC installation
- ⊙ Fully checked by CCD and Hi-Pot test
- ⊙ With fixed metal tabs to secure connector in place
- ⊙ Available in Tube or Reel packing
- ⊙ Engineering No's: CF21 Series



A = 0.50 x No. of Spaces
 B = A + 6.4
 C = A + 1.1
 * Available in 6 through 50 circuits



Solder Pad Pattern



Accommodated FFC/FPC

Ordering Code

1 PA01 2 50 3 1 4 V 5 0 6 R 7 0

- ❶ Series No.
- ❷ Circuits : 06 to 50
- ❸ Plating code:
1= Tin over Nickel

- ❹ Contact style:
V= Vertical Type
- ❺ Color: 0= Natural
- ❻ Packing Type:
R= Tape & Reel
T= Tube Packing

- ❼ Other options:
0= Standard
* Special options Consult factory

